

ATLAS LED - Ref. 212740 / ATLAS 3P R5A RENAULT TRUCKS / 23811106



## TECHNICAL CHARACTERISTICS

Brand	Vignal
Product Type	Complete lamp
Manufacturer	Renault Trucks
Voltage	9/32V
Source	LED
Color	Amber / Orange
Connector	AMP 4-way female
Lens Material	Polycarbonate
Diameter	164 mm
Height	172 mm
Weight	0,59 Kg
Flash Patterns	Rotative
Polarity	Protected against reverse voltage
EMC	ECE R10
ECE	ECE R65
SAE	SAE Class 2

[www.vignal-group.com](http://www.vignal-group.com) - [contact@vignal-group.com](mailto:contact@vignal-group.com)

France Lyon HQ : +33 (0)4 72 917 917  
 France Caen : +33 (0)2 31 74 73 13  
 France Le Mans : +33 (0)2 43 50 14 14

Switzerland Rancate : +41 (0) 91 640 50 80  
 US Mosinee : +1 715 693 1530  
 China Changzhou : +86 137 7686 3469



Print date : 04/09/2023

ATLAS LED - Ref. 212740 / ATLAS 3P R5A RENAULT TRUCKS / 23811106

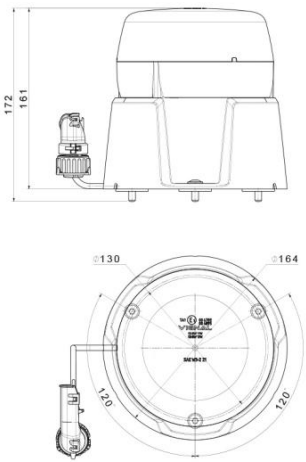
Industry

Trucks

APPLICATIONS

Manufacturer	Model	Reference	Start date	End date
RENAULT TRUCKS	T / K / C EURO 6	23811106	04/2021	

OTHER VISUALS



Brochage Pinning	Fil Wire	Fonction Function	Section Section
1	Noir / Black	Indicateur de danger / Warning indicator	0.5 mm <sup>2</sup>
2	Blanc / White	Masse / Ground	0.5 mm <sup>2</sup>

